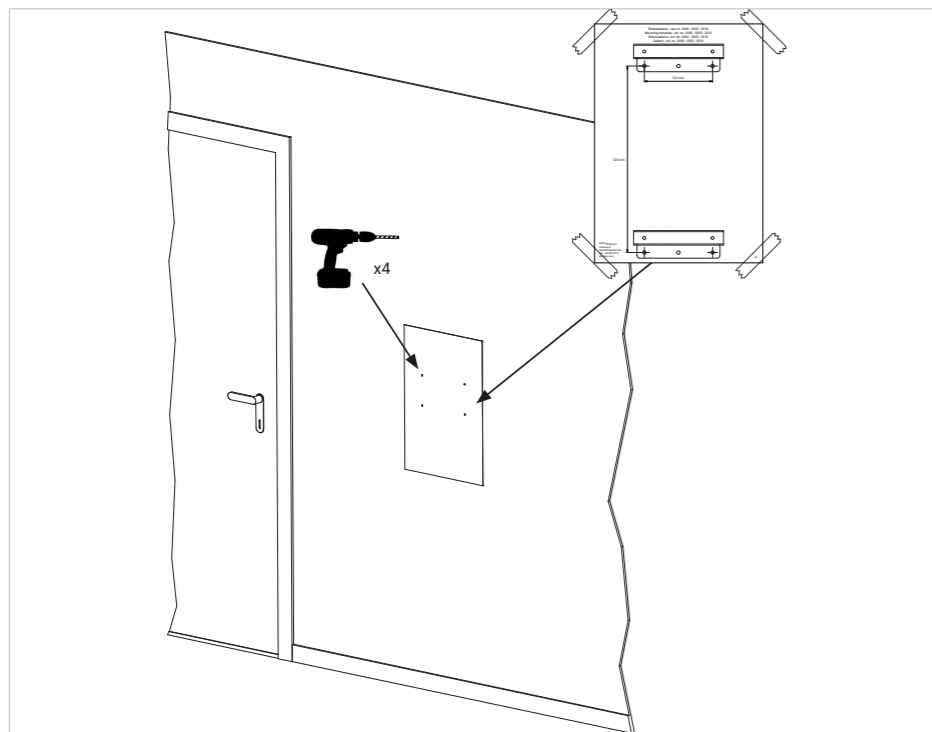


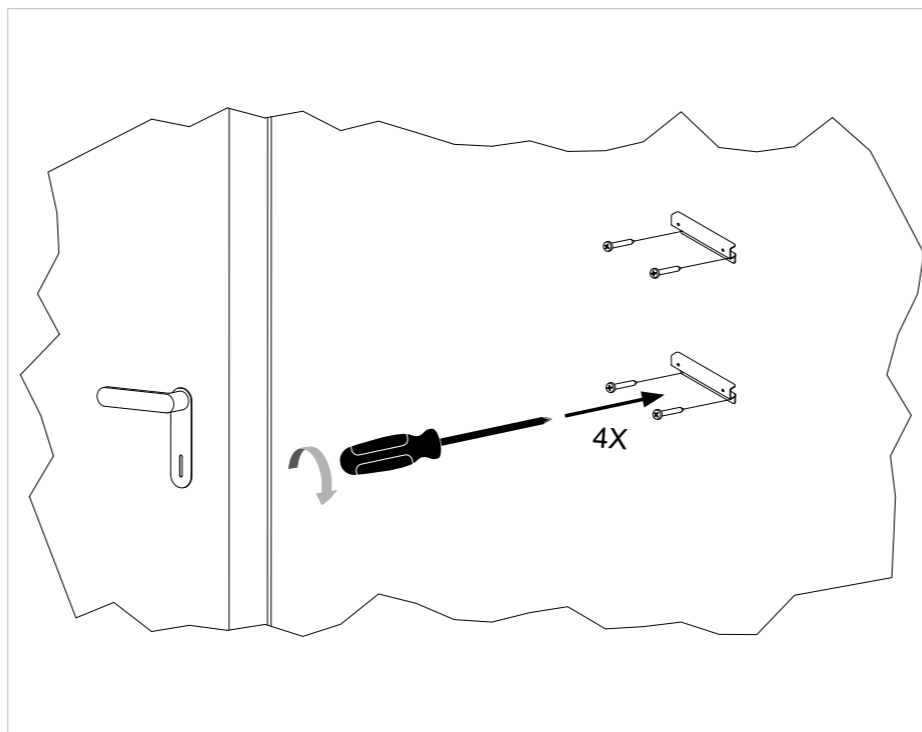
## Installation guide

DAN DRYER BJÖRK hygiejnespand / sanitary bin / Hygienbox / poubelle feminine

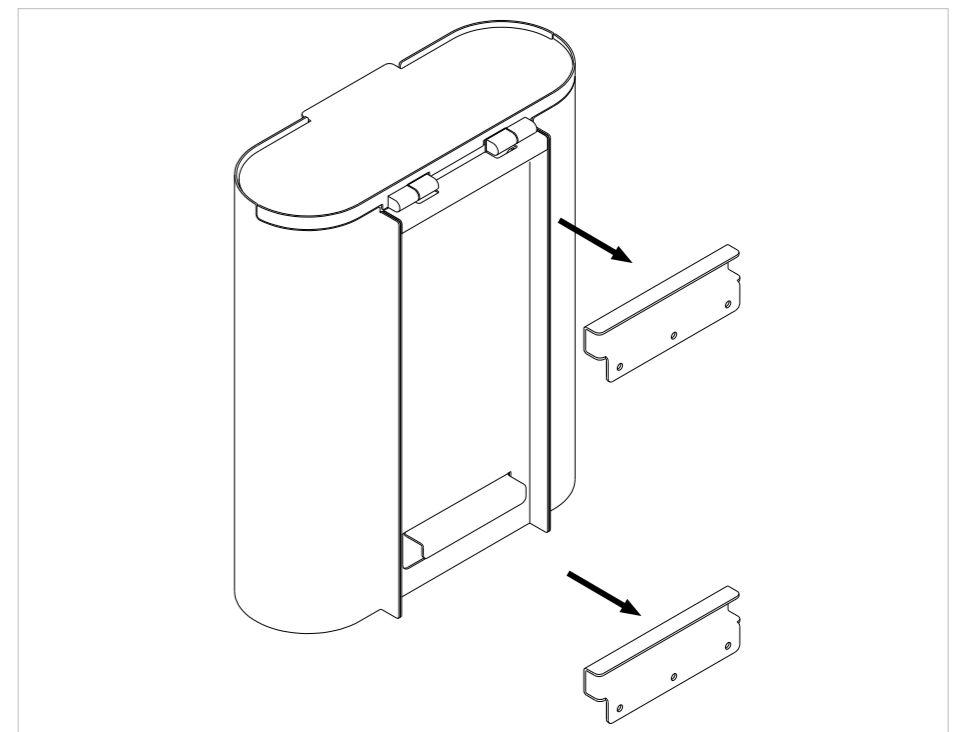
1. Place the mounting template on your desired location. Drill the four holes indicated by the template.



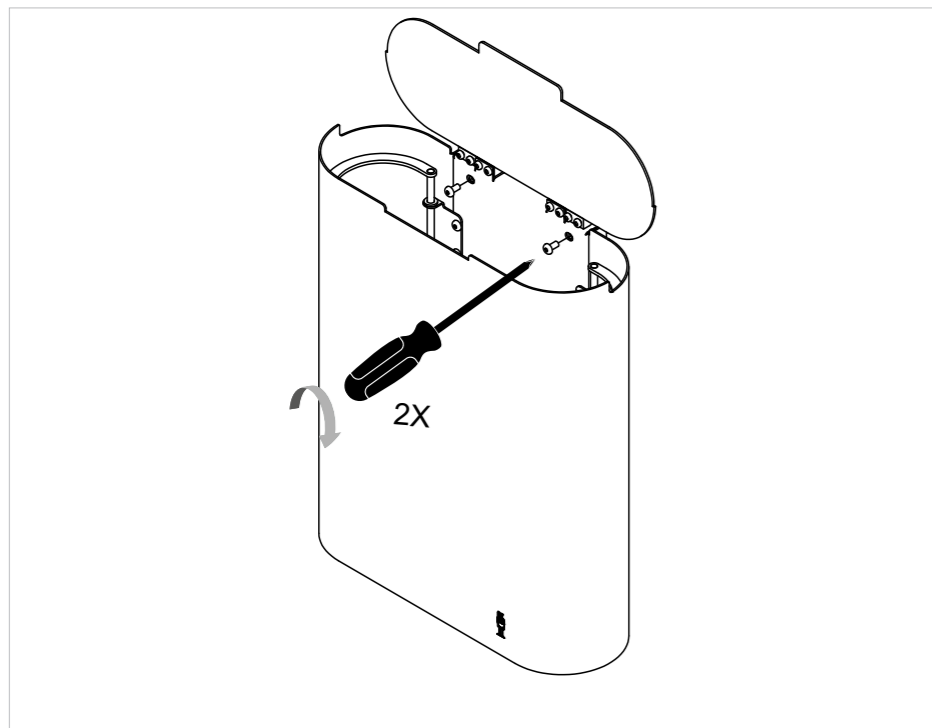
2. Mount the brackets to the wall using screws suitable for the wall.



3. Place the sanitary bin on the wall brackets.



4. Open the lid of the sanitary bin and fasten the two screws to lock the bin to the wall bracket.



5. Open the lid of the sanitary bin.



6. Move the arms and install a waste bag as instructed below. The sanitary bin is now ready to use.

